

Refrigeration Equipment 12-Crate Dual Access Milk Cooler 50" Long

ITEM # _____

MODEL # _____

NAME # _____

SIS # _____

AIA # _____



738369 (KCHMC49.2D)

12-Crate Dual Access Milk
Cooler 50" Long

Short Form Specification

Item No. _____

School milk cooler, dual access, with exterior back panel in white-painted steel, bottom panel in galvanized steel, exterior side panels in white-painted steel and top in 430 stainless steel; interior back and side panels in 430 stainless steel, interior bottom in 304 stainless steel. Interior drain and electronic temperature control. Heavy duty locking casters, removable door gasket, lid and key to protect the unit.

R290 gas in the refrigeration circuit.
ETL Safety and Sanitation certified.
3/5 Years warranty.

Main Features

- External temperature display.
- Removable gasket for easy cleaning operations.
- Electronic Temperature Control, quick and simple to set, with control display for easy monitoring.
- Fin & Tube Condenser improves performance in high temperature environments.
- Automatic Defrost Cooling System provides worry-free performance.
- Cabinet completely insulated with high density polyurethane for low environmental impact.
- Dual access to cabinet, delivers faster service and smoother operations
- Removable rubber bumper guards for airflow spacing and shock absorption
- Extra-long removable rubber bumper guards on lids to minimize scratches and dents when opening
- Back bottom mounted cooling unit guarantee an easy access and cleaning.
- Heavy duty vinyl coated steel floor protector shelves

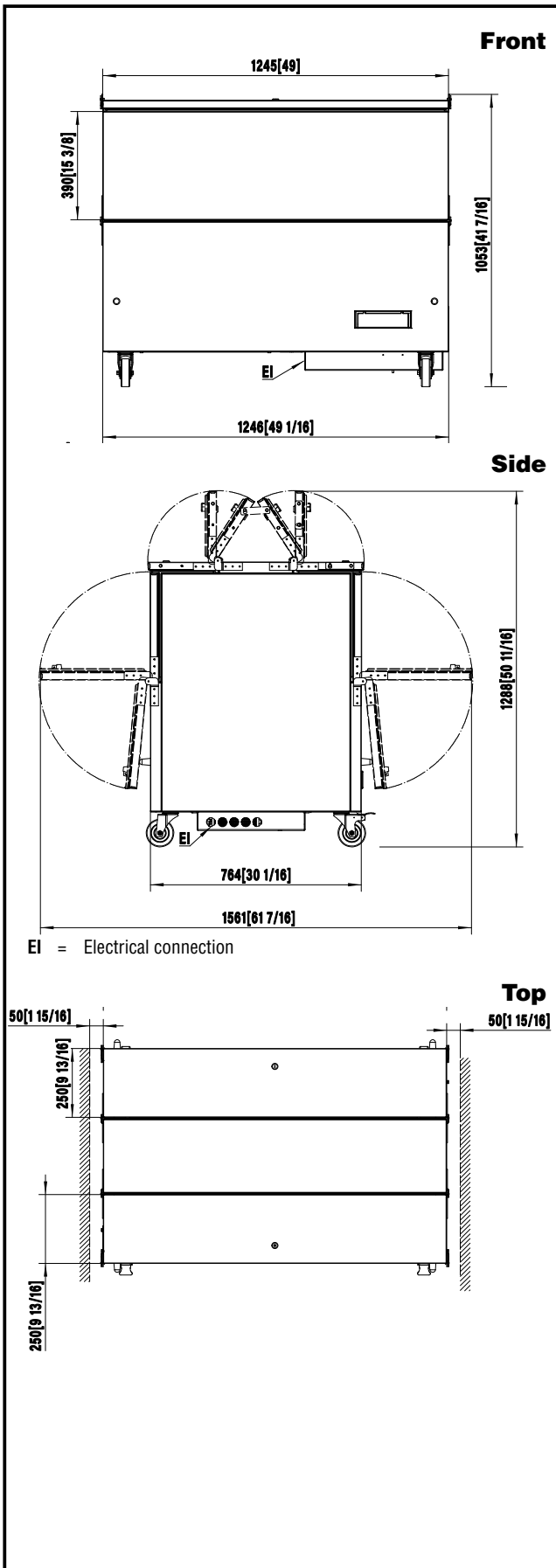
Construction

- Painted white steel exterior, for durable and sleek finish
- Stainless steel interior, durable and easy to clean for daily commercial use
- Heavy-duty, locking casters keeps the unit in place but allow position adjusting.
- Locking lid to protect contents of the unit.
- Stainless steel worktop, durable functionality
- Internal drain for easy clean out.
- Pre-wired heavy duty power cord.
- Cold Wall evaporator.
- Stainless steel door(s) for long lasting performance
- Even cooling throughout the unit with advanced cold wall technology

Sustainability

- CFC and HCFC free, highly ecological refrigerant type: R290 (ecological gas in foam: cyclopentane). Hydrocarbon refrigerant gas R290 for the lowest environmental impact (GWP=3), to reduce green house and ozone depletion effects.
- Hydrocarbon refrigerant gas R290 for the lowest environmental impact (GWP=3) - CFC and HCFC free.
- High efficiency components to minimize the energy consumption still guaranteeing the highest performances.
- 38 mm insulation for energy saving

APPROVAL: _____



Electric

Supply voltage:	115 V/1 ph/60 Hz
Electrical power, max:	0.21 kW
Plug type:	USA NEMA 5-15P

Capacity:

Number and type of grids (included):	2 - 677x577
Gross capacity:	18 cu.feet

Key Information:

Warranty:	3 / 5 years
External dimensions, Width:	49 1/32" (1245 mm)
External dimensions, Depth:	30 1/16" (764 mm)
External dimensions, Height:	41 7/16" (1053 mm)
Internal Dimensions (depth):	25 13/16" / (655 mm)
Internal Dimensions (height):	26 15/16" / (684 mm)
Internal Dimensions (width):	45 7/8" / (1165 mm)
Shipping height:	48 5/8" (1235 mm)
Shipping weight:	282 lbs (128 kg)
Shipping volume:	45.57 ft ³ (1.29 m ³)
Type of external material:	Prepainted white
Type of internal material:	Stainless Steel
Approvals	ETL C&US;ETL SANITATION

Refrigeration Data

Condenser type:	Fin & tube
Operating temperature min.:	35.6 °F
Compressor power:	1/3 hp
Operating temperature max.:	37.4 °F
Defrost type:	Auto Defrost

Sustainability

Current consumption:	3 Amps
Refrigerant type:	R290
GWP Index:	3
Refrigerant weight:	90 g



Refrigeration Equipment
12-Crate Dual Access Milk Cooler 50" Long

The company reserves the right to make modifications to the products without prior notice. All information correct at time of printing.